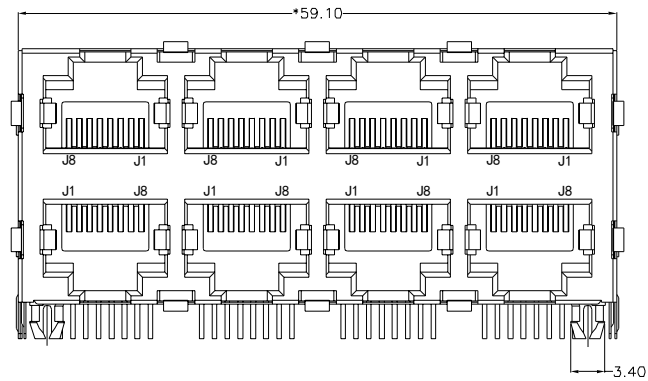
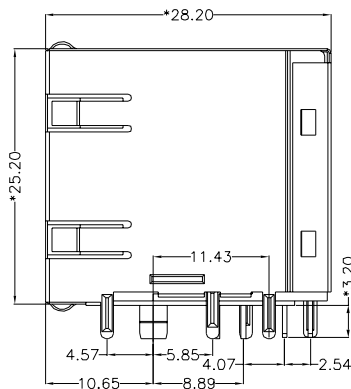


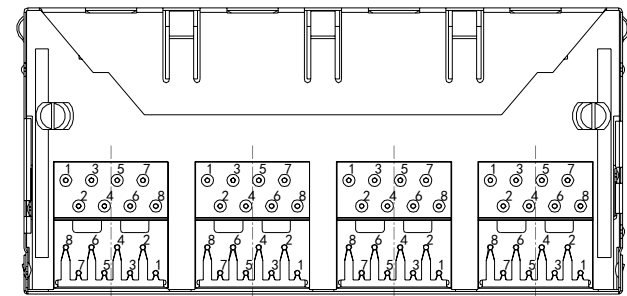
REACH & RoHS COMPLIANT



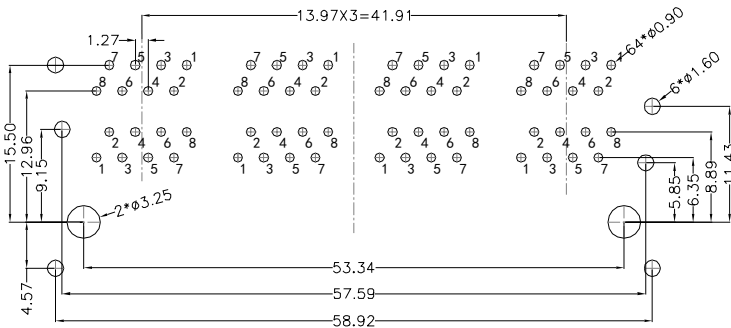
FRONT VIEW



RIGHT SIDE VIEW



BOTTOM VIEW

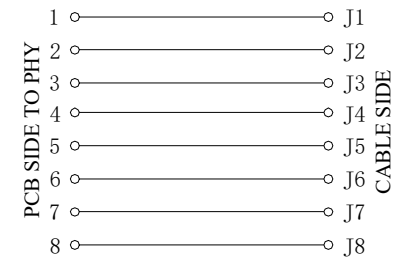


RECOMMENDED PCB LAYOUT VIEWED FROM COMPONENT SIDE

MATERIAL:
 HOUSING: PBT,UL94V-0,BLACK.
 TERMINAL: PHOSPHOR BRONZE Ø=0.46MM, G/FU" GOLD PLATING.
 SHIELD: C2680,T=0.20MM,20~50U" MIN NICKEL PLATING ON ALL AREA.

MACHANICAL:
 DURABILITY: 750 CYCLES MIN,12.5MM/MINUTE.
 INSERTION FORCE: 2.2KG.F MAX.
 RETENTION STRENGTH : 7.7KG.F BETWEEN JACK AND PLUG.
 OPERATING TEMPERATURE: -40°C~+85°C.
 STORAGE TEMPERATURE: -40°C~+85°C.
 ALL CRITICAL DIMENSIONS WITH "**"

ELECTRICAL:
 VOLTAGE: 125 VOLTS AC.
 CURRENT RATING : 1.5AMP.
 DIELECTRIC STRENGTH: 1000 VAC RMS 50HZ OR 60HZ,1MIN.
 INSULATION RESISTANCE: 500 MEGA OHMS MIN. INITIAL
 AFTER 500V DC FOR 1 MINUTE.
 CONTACT RESISTANCE: SINGLE TERMINAL 30 MILLIOHMS MAX.
 INITIAL 50 MILLIOHMS MAX. AFTER DURABILITY TEST.



VOOHU 苏州沃虎电子科技有限公司
 Su Zhou Voohu Electronic Tech.Co.Ltd

TITLE:
 RJ45 2*4 无灯带弹

SIZE
 A4

UNITS
 MM[INCH]

GENERAL TOLERANCES
 UNLESS SPECIFIED

APPROVED BY:
 Geoffrey.Song

PART NO.:
 SYT59212488HWA1DY1A127短体

SACLE
 1:1

REV
 A0

$x \pm 0.35$
 $.x \pm 0.30$
 $.xx \pm 0.25$
 $.xxx \pm 0.10$

$x^\circ \pm 3.0^\circ$
 $.x^\circ \pm 2.0^\circ$
 $.xx^\circ \pm 1.5^\circ$
 $.xxx^\circ \pm 1.0^\circ$

CHECKED BY:
 Elvis.Song
 DESIGND BY:
 Sunny.Xu

TEL: +86 400 1048 018

WEB: WWW.WOHU-TEK.COM

REMARK:

SHEET
 1/1

